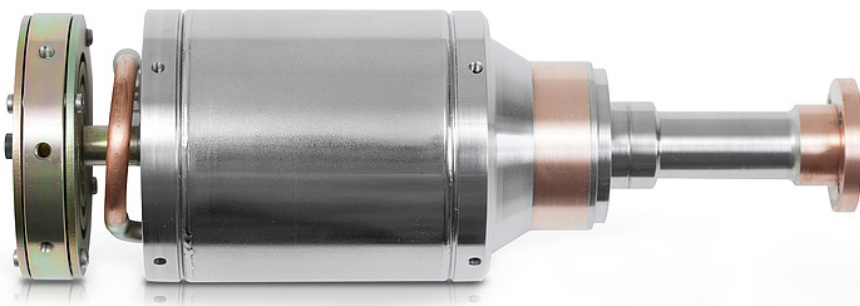


SUNPOWER

CryoTel[®] MT

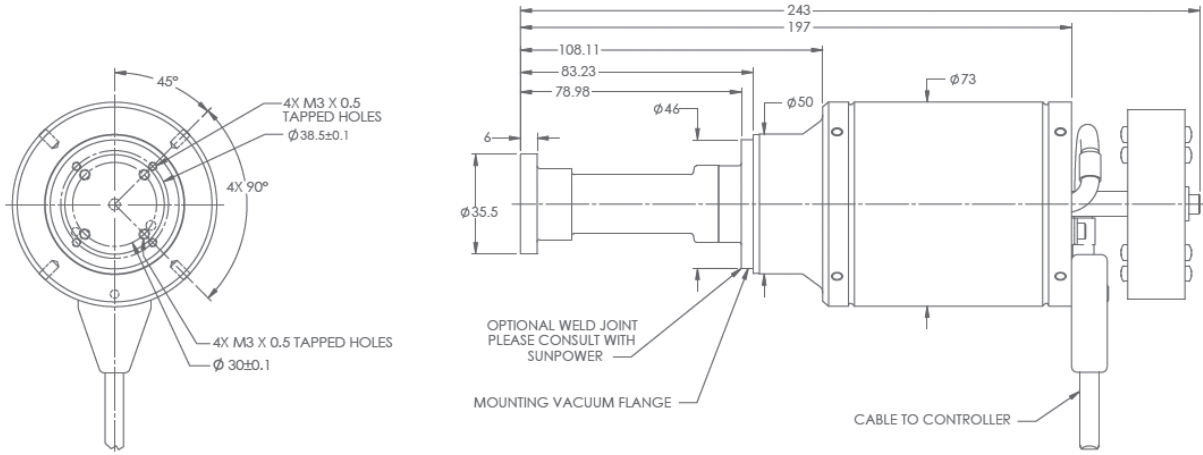
5 W Cryocooler



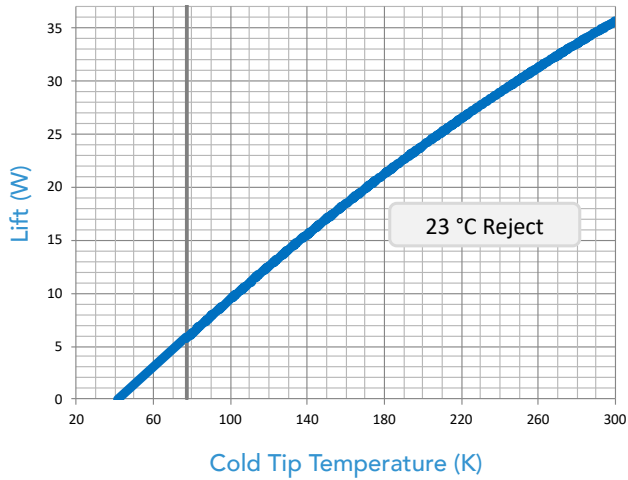
Nominal Heat Load @ 77 K (23° C reject)	5 W
Nominal Input	80 W
Cooler Mass	2.1 kg
Temperature Stability	± 0.1 K
Power Supply	DC 24V (12A)
Length	243 mm
Diameter	73 mm
Lowest Temperature	< 40 K
Orientation	any
AVC Compatible	yes
Operating Frequency	60 Hz
MTTF	> 200,000 hr

Unsurpassed
efficiency,
reliability and
performance.

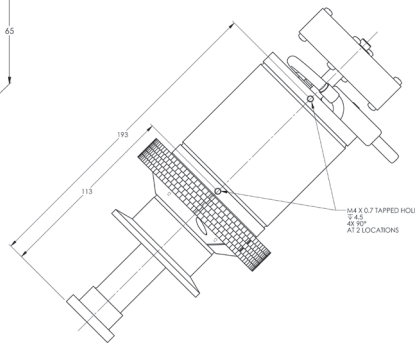
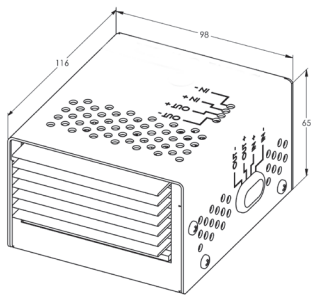
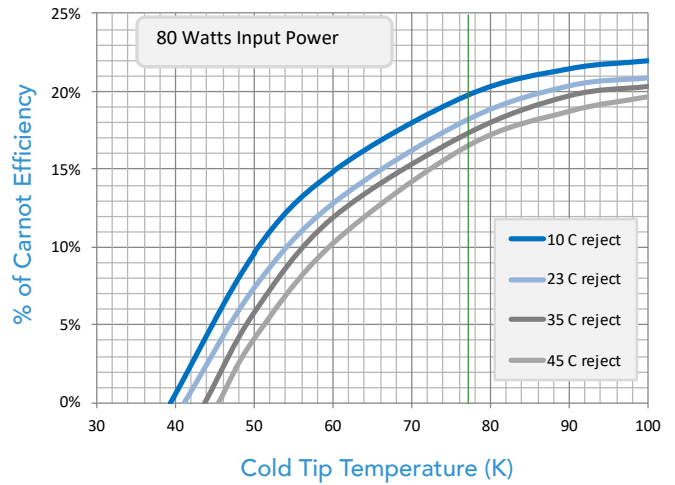
Base MT Cryocooler Dimensions



Nominal Performance to 300K



Percent of Carnot Efficiency



Data is subject to change.

MT Cryocooler with Air Fins

