

SUNPOWER

CryoTel® GT

16 W Cryocooler



Nominal Heat Load 16 W
@ 77 K (23° C reject)

Nominal Input 240 W

Cooler Mass 3.1 kg

Temperature Stability ± 0.1 K

Power Supply DC 48V (10A)

Length 276 mm

Diameter 83 mm

Lowest Temperature < 40 K

Orientation any

AVC Compatible yes

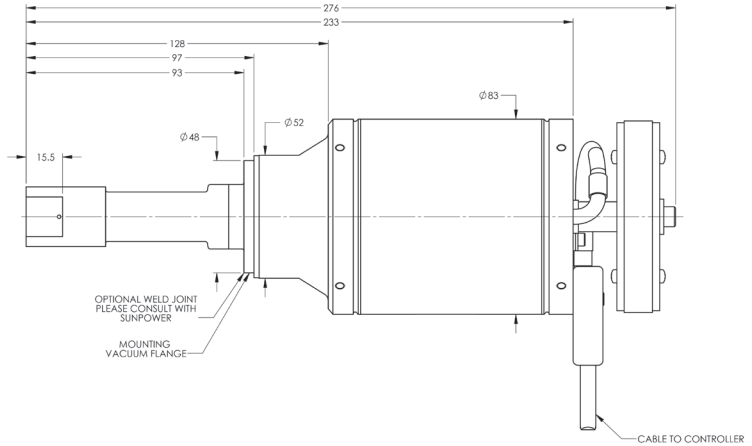
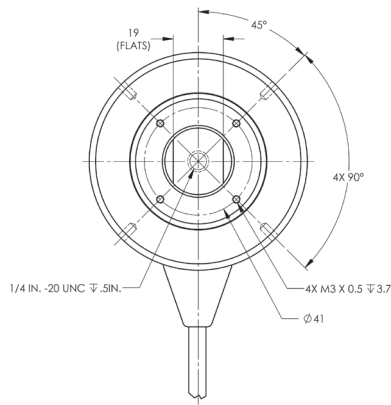
Operating Frequency 60 Hz

MTTF $> 200,000$ hr

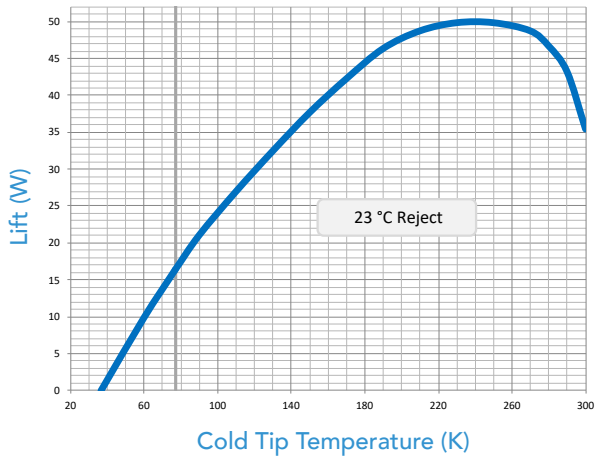
Unsurpassed
efficiency,
reliability and
performance.



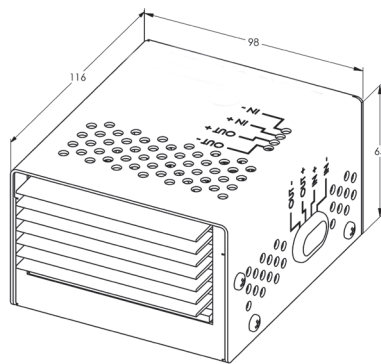
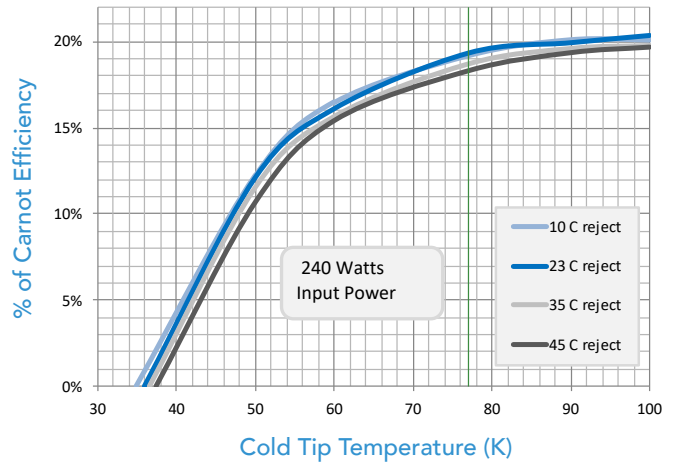
Base GT Cryocooler Dimensions



Nominal Performance to 300 K



Percent of Carnot Efficiency



Data is subject to change.

Performance. Efficiency. Reliability.

The CryoTel® GT cryocooler was brought to commercialization in 2005. The GT has been used successfully in applications such as High Temperature Superconductivity (HTS) filters, high altitude balloons, refrigeration, germanium detectors, IR detectors, radio telescopes, laser diode cooling, and research among others. The CryoTel GT represents the smallest 16 W @77 K cooler available that bundles an attractive price point with outstanding performance, given a Mean Time to Failure of >200,000 hours.



The most efficient cryocoolers on the market.

Please email sales@sunpowerinc.com for sales information.
 2005 E. State Street, Suite 104, Athens, Ohio 45701 USA
www.sunpowerinc.com