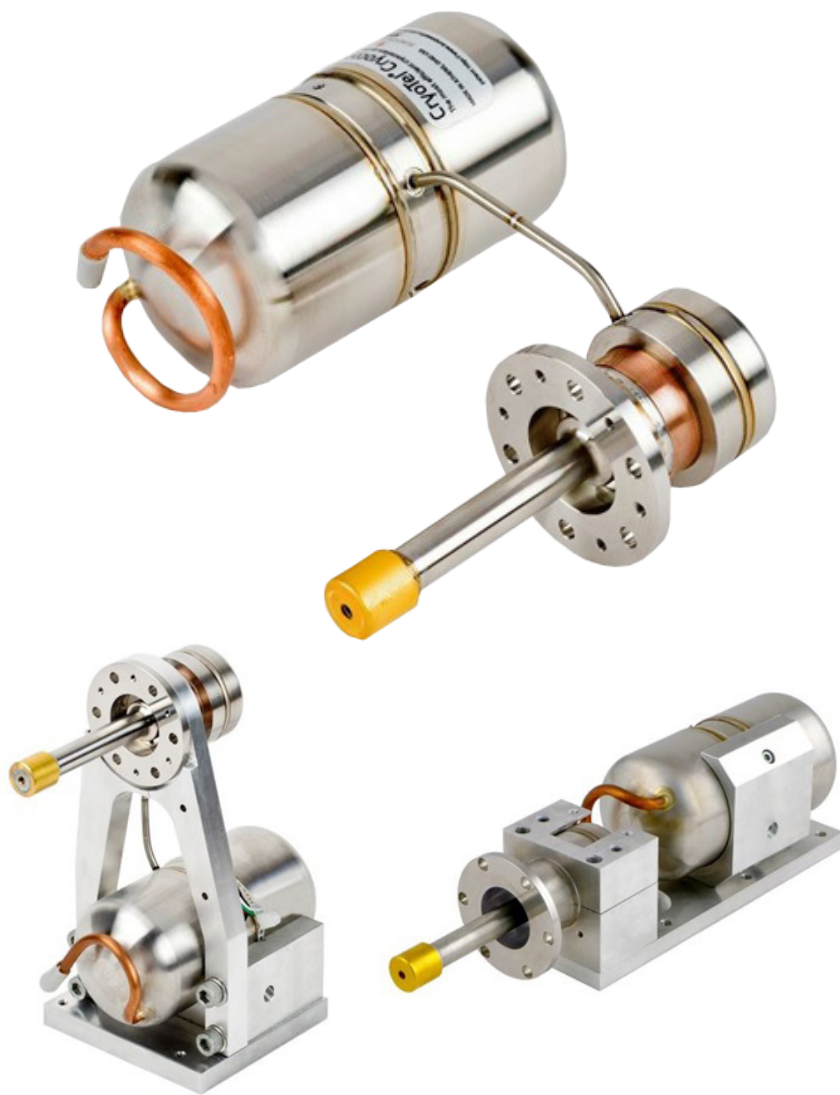


# SUNPOWER

## CryoTel® DS Mini

### Dual-Split Mini Cryocooler

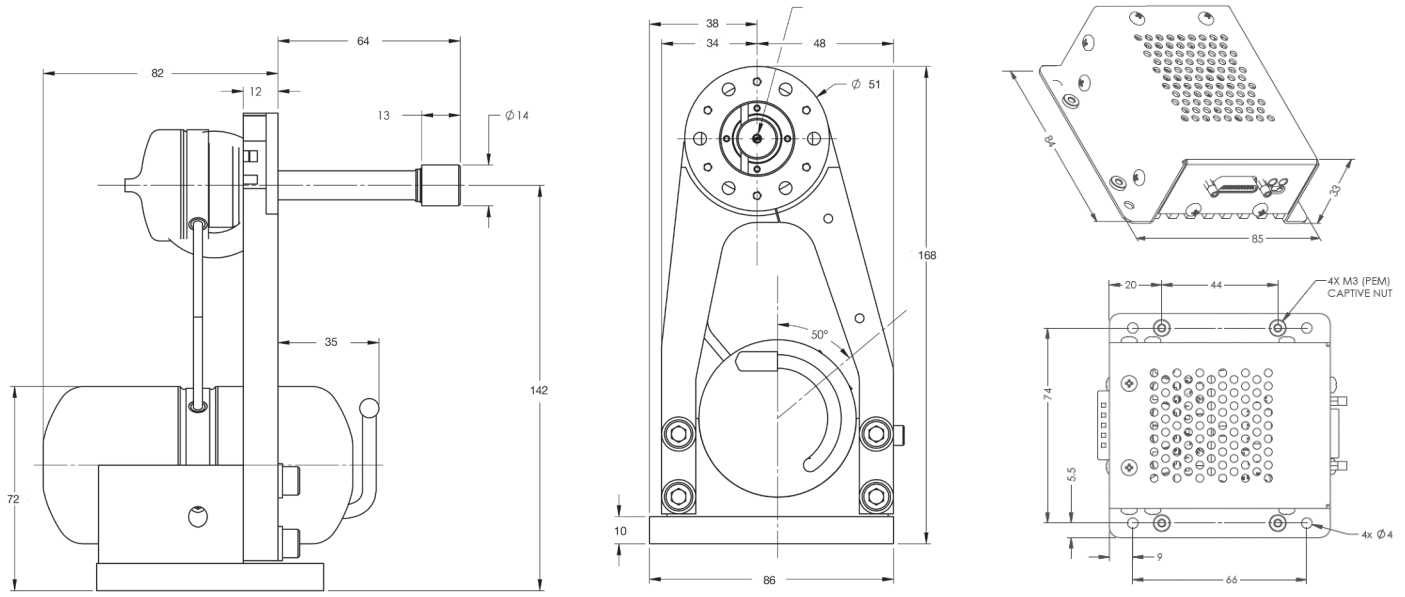


Nominal Heat Load @ 77 K (23° C reject)	1.8 W
Nominal Input	45 W
Cooler Mass	1.2 kg total
Temperature Stability	± 0.1 K
Power Supply	DC 24V (6A)
Length	Cold Head: 128 mm Wave Generator: 116 mm
Diameter	Cold Head: 39 mm Wave Generator: 55 mm
Lowest Temperature	< 40 K
Orientation	any
AVC Compatible	no
Operating Frequency	75 Hz
MTTF	> 120,000 hr

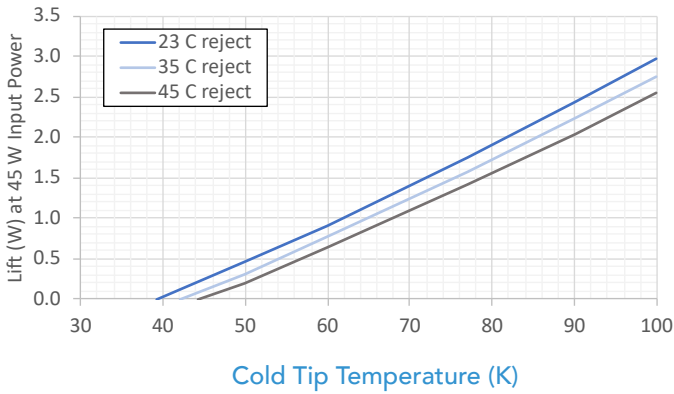
Unsurpassed  
efficiency,  
reliability and  
performance.



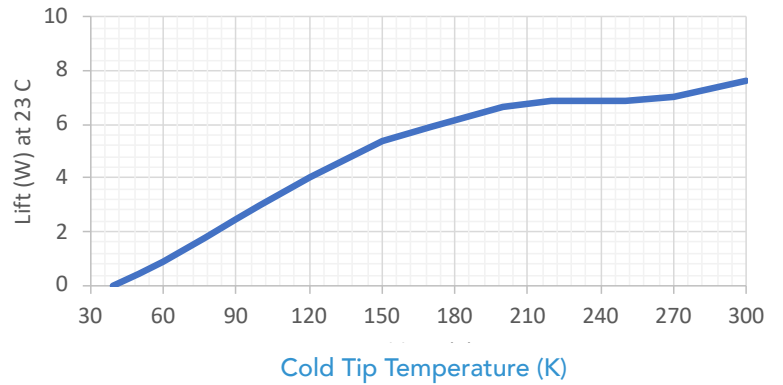
# Base DS Mini Cryocooler Dimensions



### Nominal Performance at Different Reject Temperatures



### DS Mini Nominal Performance



Data is subject to change.



## The most efficient cryocoolers on the market.

Please email [sales@sunpowerinc.com](mailto:sales@sunpowerinc.com) for sales information.  
2005 E. State Street, Suite 104, Athens, Ohio 45701 USA  
[www.sunpowerinc.com](http://www.sunpowerinc.com)