

CryoTel[®] Controller

Generation 2



The CryoTel[®] Generation 2 controller was introduced in April of 2012 to respond to the market need for additional functionality and reduced audible noise.

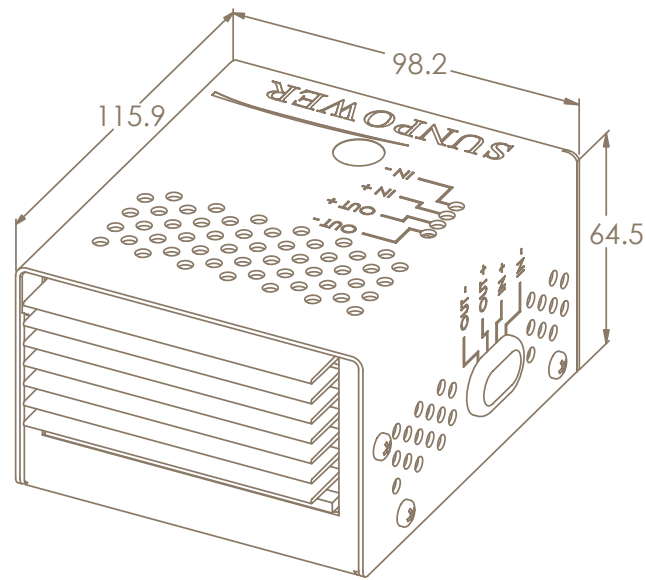
The Generation 2 controller is backward compatible with Generation 1, so any setups which are communicating with Sunpower's Generation 1 controller will work with the new controller.

Output Power @77 K (23 °C reject)	MT: 80 W CT: 160 W GT: 240 W
Nominal Lift @77 K (23 °C reject)	MT: 5 W CT: 11 W GT: 16 W
Mass	490 grams
Communication	RS-232
Control	Power or Temp
Dimensions	116L x 98W x 65H
Temp Stability	±0.1 K
Software Interface	Terminal Emulator
Operating Frequency	60 Hz

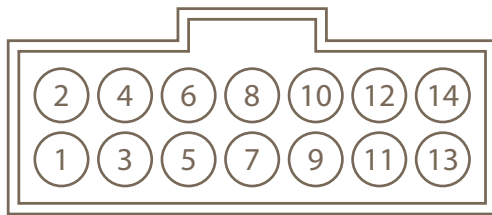
The most efficient cryocoolers
on the market


SUNPOWER

AMETEK[®]



Input/Output Connector Pinout



Pin Number	Function
1	Digital Out 1
2	Digital Out 2
3	Digital Out 3
4	Digital Out 4 (at temp)
5	Digital Input 1 (soft stop)
6	Digital Input 2
7	Digital Input 3 (thermostat)
8	Digital Input 4
9	Isolated I/O GND
10	Onboard Isolated 5 V
11	Isolated I/O GND
12	Onboard Isolated 5 V
13	RS-232 RX (input)
14	RS-232 TX (output)

Features

- Included enclosure with improved connections.
- Password-protected operation.
- LED and interface error indication.
- Capable of user-added thermostat shutdown.
- Adjustable temperature control bandwidth.
- Reduced audible noise.
- Tunable temperature control loop.
- Sinusoidal driving frequency.
- Reduction in lower order harmonic vibration induced by the controller.
- Isolated RS-232 serial communication.
- External and software commanded cooler shutdown.

Data is subject to change without notice.