

# CryoTel® GT

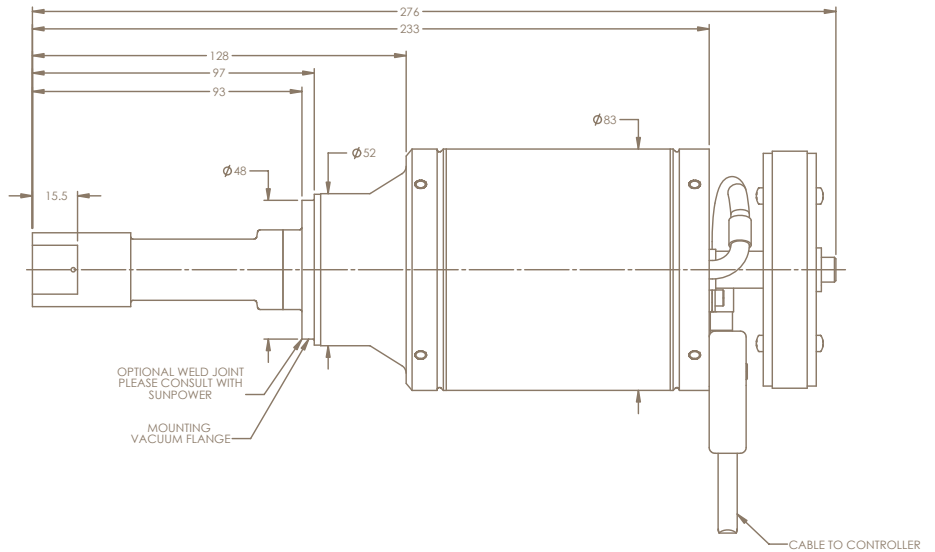
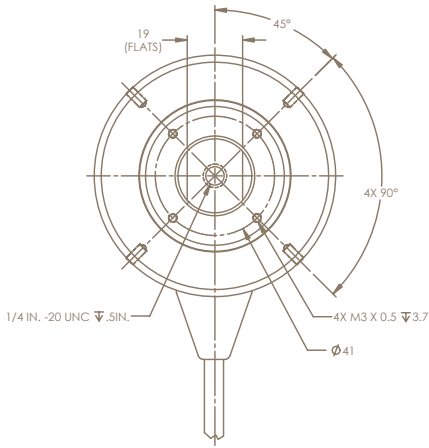
16 W Cryocooler



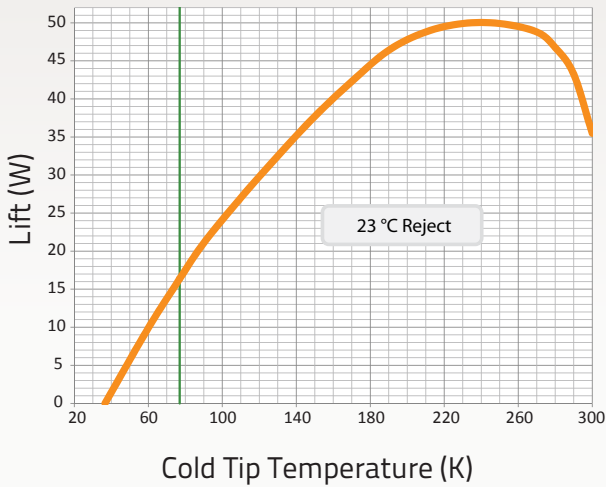
|   |            |
|---|------------|
| Nominal Heat Load @ 77K<br>(23 °C reject) | 16 W       |
| Nominal Input                             | 240 W      |
| Cooler Mass                               | 3.1 kg     |
| Temperature Stability                     | + 0.1 K    |
| Power Supply                              | 48 V dc    |
| Length                                    | 276 mm     |
| Diameter                                  | 83 mm      |
| Lowest Temperature                        | 40 K       |
| Orientation                               | any        |
| Operating Frequency                       | 60 Hz      |
| MTTF                                      | 200,000 hr |

Unsurpassed efficiency, reliability  
and performance

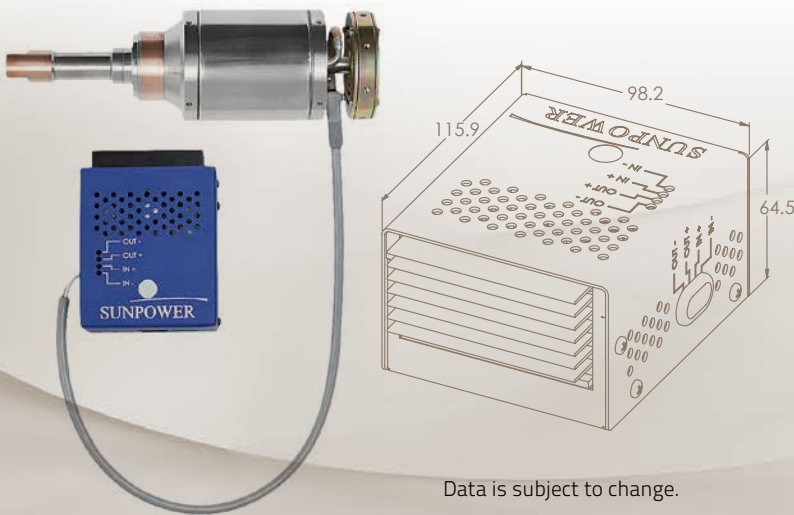
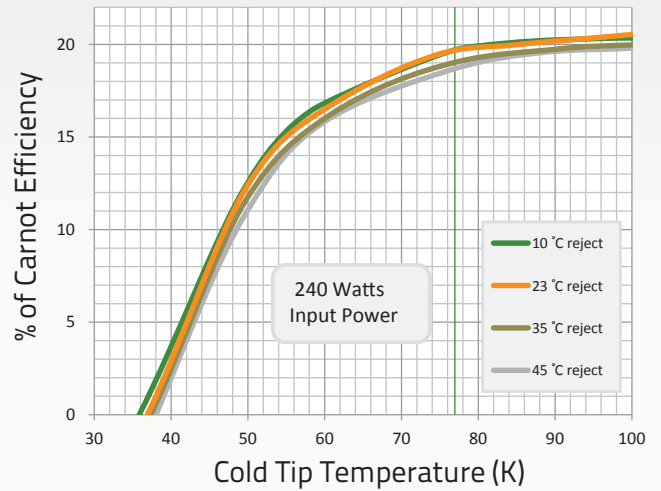
## Base GT Cryocooler Dimensions



### Nominal Performance to 300 K



### Percent of Carnot Efficiency



Data is subject to change.

performance. efficiency. reliability.

The CryoTel® GT cryocooler was brought to commercialization in 2005. The GT has been used successfully in applications such as High Temperature Superconductivity (HTS) filters, high altitude balloons, refrigeration, germanium detectors, IR detectors, radio telescopes, laser diode cooling, and research among others. We believe the customer will agree that the CryoTel GT is the smallest 16 W @77 K cooler available at an attractive price point with a Mean Time to Failure of over 200,000 hours.



Please email [sales@sunpowerinc.com](mailto:sales@sunpowerinc.com) for sales information.

2005 E. State Street  
Athens, Ohio 45701 USA  
[www.sunpowerinc.com](http://www.sunpowerinc.com)

The most efficient  
cryocoolers on the market